



Illustrated Parts List

Pressure Washer / Lavadora de Presión



This pressure washer is rated in accordance to the Pressure Washer Manufacture Association (PWMA) Standard PW101 (Testing and Rating Performance of Pressure Washers).

Questions? Help is just a moment away!
Preguntas? La ayuda es justa un momento lejos!
Call: Pressure Washer Helpline

Llame: Línea Directa del Lavadora a Presión - 1-800-743-4115 M-F 8-5 CT

Model / Modelo

Mfg. No.	Description / Descripción
020507-00	4,000 PSI Briggs & Stratton Elite
020507-01	4,000 PSI Briggs & Stratton Elite

Manual Part No. 318209

Revision B

Rev. Date: 2/19/2016

Not for
Reproduction

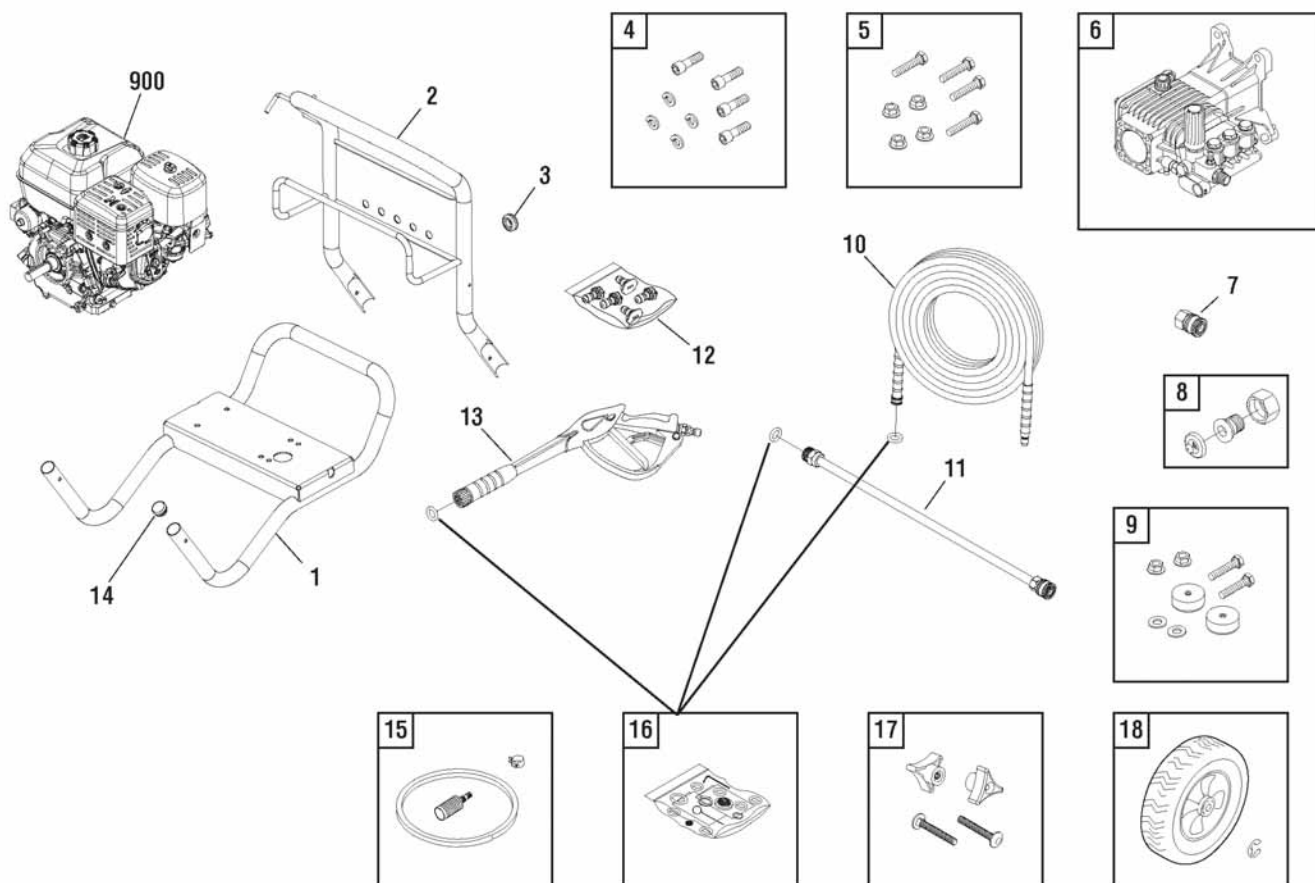
PRODUCT COMPONENTS	PAGES
Main Unit	4
Pump	5
Torque Specification Chart	Inside Back Cover

Not for
Reproduction

Main Unit

316691

NOTE: Unless noted otherwise,
use the standard hardware torque
specification chart.



REF. PART NO.	DESCRIPTION	REF. PART NO.	DESCRIPTION
1	315384BSGS BASE	13	316705GS GUN
2	315383BSGS HANDLE	14	189332GS CAP-PLUG
3	30809GS GROMMET	15	192796GS HOSE-CHEMICAL
4	192132GS KIT-HARDWARE, PUMP MOUNTING	16	196002GS KIT-O-RING
5	318208GS KIT-HARDWARE, ENGINE MOUNTING	17	203040GS KIT-HARDWARE, HANDLE
6	318207GS PUMP	18	204876GS KIT-WHEEL
7	95458GS QUICK CONNECT	--	191265GS E-RING
8	199310GS ADAPTER-GARDEN HOSE	900	----- ** ENGINE
9	192310GS MOUNT-VIBRATION	--	199272GS OIL (Qty 2 Required) (Not Illustrated)
10	316326GS HOSE	--	191267GS AXLE (Not Illustrated)
11	207785GS EXTENSION, QC	--	705753 KEY (Not Illustrated)
12	317351GS KIT-QC NOZZLES	--	208538GS DECAL, Spark (Not Illustrated)
--	195983EGS NOZZLE-QC RED	--	194256GS TAG, Warning (Not Illustrated)
--	195983FGS NOZZLE-QC YELLOW	--	317903GS DECAL, Unit (Not Illustrated)
--	195983GGS NOZZLE-QC GREEN	--	6039 PUMP SAVER (Optional Accessory - Not Included)
--	195983HGS NOZZLE-QC WHITE		
--	198841GS NOZZLE-QC BLACK		

Footnotes

** Contact Engine Manufacturer for parts & service.

The above parts group applies to the following Mfg. Nos.:

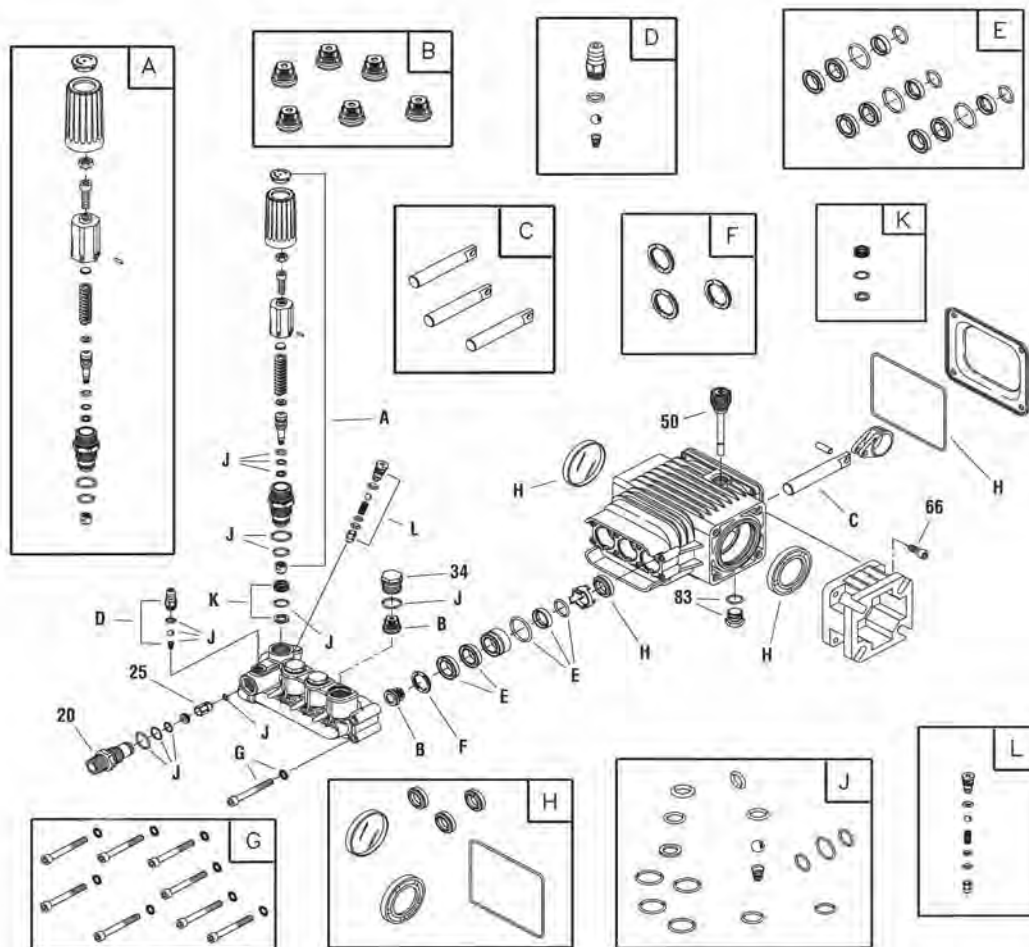
020507-00

020507-01

Pump

316370SV

NOTE: Unless noted otherwise, use the standard hardware torque specification chart.



REF.	PART NO.	DESCRIPTION	REF.	PART NO.	DESCRIPTION
20	198851GS	INJECTOR, Detergent	--	B2384GS	FILTER, Garden Hose (Part Not Illustrated)
25	204860GS	JET	--	208673GS	VALVE, Thermal Relief (Part Not Illustrated)
34	317334GS	PLUG	--	6039	PUMP SAVER (Optional Accessory)
50	198849GS	DIPSTICK			
66	198297GS	SCREW			
83	203034GS	PLUG, Drain			
A	198736GS	*KIT, Unloader			
B	317335GS	*KIT, Check Valve			
C	198844GS	*KIT, Piston			
D	192914GS	*KIT, Chemical Injector			
E	198845GS	*KIT, Water Seal			
F	198848GS	*KIT, Support Ring			
G	198852GS	*KIT, Hardware			
H	198846GS	*KIT, Oil Seals			
J	198847GS	*KIT, O Ring			
K	202902GS	*KIT, Unloader Seat			
L	202800GS	*KIT, Unloader			

Footnotes

* Service Kit includes all parts shown in box.

The above parts group applies to the following Mfg. Nos.:

020507-00
020507-01

Not for
Reproduction

Hardware Identification & Torque Specifications

Torque Specification Chart								
FOR STANDARD METRIC MACHINE HARDWARE (Tolerance ± 20%)								
Property Class	5.6		8.8		10.9		12.9	
	Class 5.6		Class 8.8		Class 10.9		Class 12.9	
Size Of Hardware	in/lbs		in/lbs		in/lbs		in/lbs	
	ft/lbs	Nm.	ft/lbs	Nm.	ft/lbs	Nm.	ft/lbs	Nm.
M3	5.88	.56	13.44	1.28	19.2	1.80	22.92	2.15
M4	13.44	1.28	30.72	2.90	43.44	4.10	52.56	4.95
M5	26.4	2.50	60.96	5.75	5.97	8.10	7.15	9.7
M6	44.64	4.3	7.3	9.9	10.3	14	12.1	16.5
M7	5.2	7.1	12.1	16.5	16.9	23	19.9	27
M8	7.7	10.5	17.7	24	25	34	29	40
M10	15	21	35	48	50	67	59	81
M12	26	36	61	83	86.2	117	103	140
M14	42	58	101	132	136	185	162	220
M16	64	88	147	200	210	285	250	340
M18	89	121	202	275	287	390	346	470
M20	126	171	290	390	405	550	486	660
M22	169	230	390	530	559	745	656	890
M24	217	295	497	375	708	960	840	1140
M27	320	435	733	995	1032	1400	1239	1680
M30	435	590	995	1350	1401	1900	1681	2280
M33	590	800	1349	1830	1902	2580	2278	3090
M36	759	1030	1740	2360	2441	3310	2935	3980
M39	988	1340	2249	3050	3163	4290	3798	5150

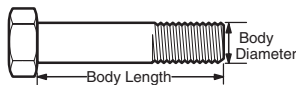
The guides and ruler furnished below are designed to help you select the appropriate hardware.



Nut, M8

Thread Diameter (mm)
Inside Diameter (in)
Threads per inch

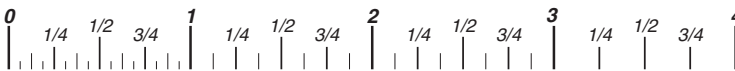
Nut, 1/2-16



Screw, M8- 1.25 x 25

Thread Diameter (mm)
Body Diameter
Distance between threads (mm)
Threads per inch
Body Length (mm)
Body Length (in)

Screw, 1/2- 16 x 2



Standard Hardware Sizing

When a washer or nut is identified as 1/2" (M8), this is the *Nominal size*, meaning the *inside diameter* is 1/2 inch (8mm metric thread diameter); if a second number is present it represents the *threads per inch* (distance between threads).

When bolt or capscrew is identified as 1/2 - 16 x 2" (M8 - 1.25 x 50), this means the *Nominal size*, or body diameter is 1/2 inch (8mm metric thread diameter), the second number, 16, represents the *threads per inch*, (1.25 thread diameter). The final number is the body length of the bolt or screw, 2 inches (50mm).

Torque Specification Chart						
FOR STANDARD MACHINE HARDWARE (Tolerance ± 20%)						
Hardware Grade	No Marks		SAE Grade 5		SAE Grade 8	
	SAE Grade 2		SAE Grade 5		SAE Grade 8	
Size Of Hardware	in/lbs		in/lbs		in/lbs	
	ft/lbs	Nm.	ft/lbs	Nm.	ft/lbs	Nm.
8-32	19	2.1	30	3.4	41	4.6
8-36	20	2.3	31	3.5	43	4.9
10-24	27	3.1	43	4.9	60	6.8
10-32	31	3.5	49	5.5	68	7.7
1/4-20	66	7.6	8	10.9	12	16.3
1/4-28	76	8.6	10	13.6	14	19.0
5/16-18	11	15.0	17	23.1	25	34.0
5/16-24	12	16.3	19	25.8	29	34.0
3/8-16	20	27.2	30	40.8	45	61.2
3/8-24	23	31.3	35	47.6	50	68.0
7/16-14	30	40.8	50	68.0	70	95.2
7/16-20	35	47.6	55	74.8	80	108.8
1/2-13	50	68.0	75	102.0	110	149.6
1/2-20	55	74.8	90	122.4	120	163.2
9/16-12	65	88.4	110	149.6	150	204.0
9/16-18	75	102.0	120	163.2	170	231.2
5/8-11	90	122.4	150	204.0	220	299.2
5/8-18	100	136	180	244.8	240	326.4
3/4-10	160	217.6	260	353.6	386	525.0
3/4-16	180	244.8	300	408.0	420	571.2
7/8-9	140	190.4	400	544.0	600	816.0
7/8-14	155	210.8	440	598.4	660	897.6
1-8	220	299.2	580	788.8	900	1,244.0
1-12	240	326.4	640	870.4	1,000	1,360.0

NOTES

- These torque values are to be used for all hardware excluding: locknuts, self-tapping screws, thread forming screws, sheet metal screws and socket head setscrews.
- Recommended seating torque values for locknuts:
 - for prevailing torque locknuts - use 65% of grade 5 torques.
 - for flange whizlock nuts and screws - use 135% of grade 5 torques.
- Unless otherwise noted on assembly drawings, all torque values must meet this specification.

Common Hardware Types

Hex Head Capscrew

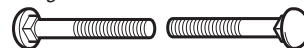


Washer



Lockwasher

Carriage Bolt



Hex Nut

Wrench & Fastener Size Guide

1/4" Bolt or Nut Wrench—7/16"	5/16" Bolt or Nut Wrench—1/2"	3/8" Bolt or Nut Wrench—9/16"	7/16" Bolt or Nut Wrench (Bolt)—5/8" Wrench (Nut)—11/16"	1/2" Bolt or Nut Wrench—3/4"
M6 Bolt or Nut Wrench—10mm	M8 Bolt or Nut Wrench—13mm	M10 Bolt or Nut Wrench—17mm	M12 Bolt or Nut Wrench—19mm	M14 Bolt or Nut Wrench—22mm



Not for
Reproduction

Briggs & Stratton Power Products Group, LLC

Copyright© 2016 Briggs & Stratton Power Products Group, LLC. All rights reserved. No part of this page can be reproduced or transmitted in any form by any means without the express written permission of Briggs & Stratton Power Products Group, LLC.